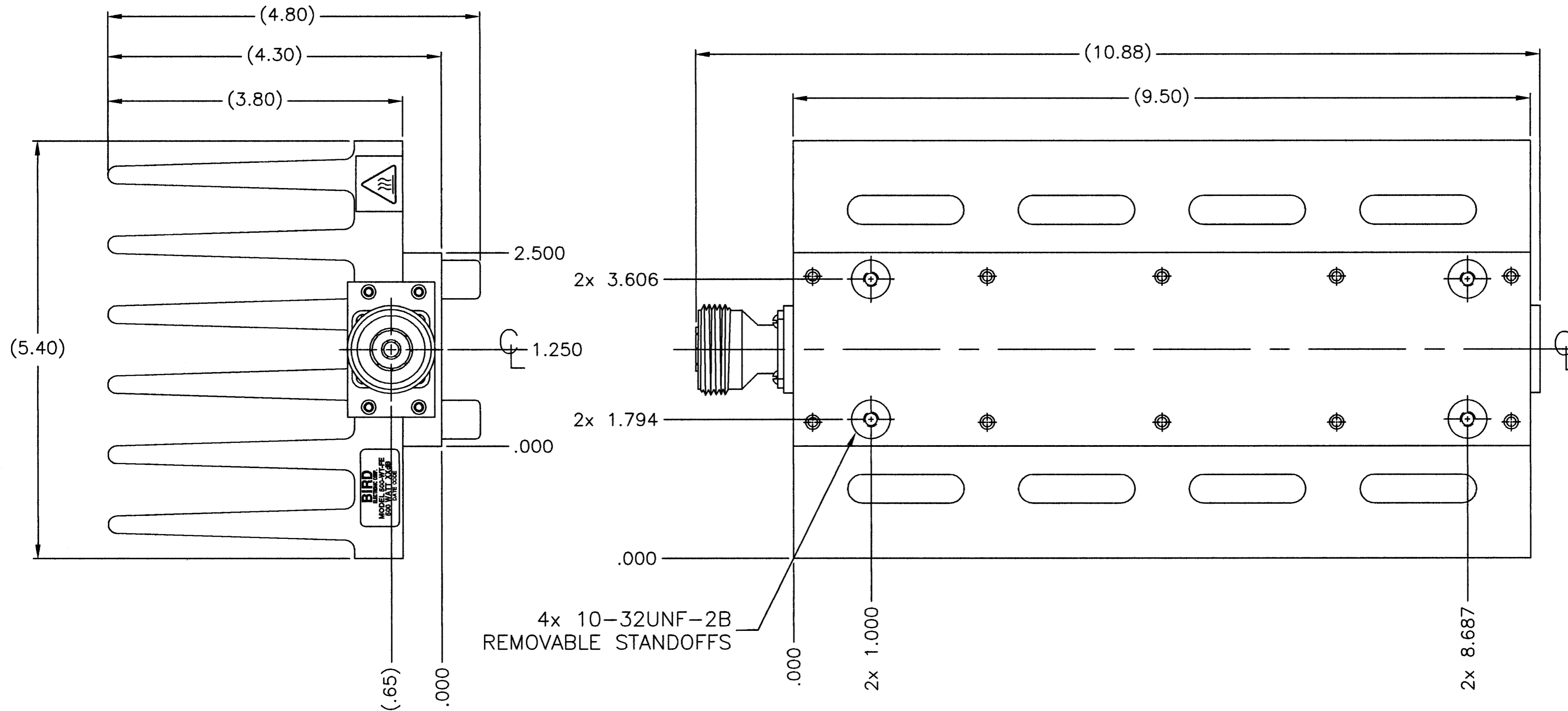


SPECIFICATIONS:


IMPEDANCE: 50 OHMS NOMINAL
 FREQUENCY RANGE: DC TO 2.5GHz
 VSWR: DC TO 1GHz AT 1.10:1 MAX.
 1GHz TO 2.5 GHz AT 1.25:1 MAX.
 POWER RATING: 500 WATTS AVG. AT 25°C AMBIENT
 DERATED LINEARLY TO 50 WATTS AT 125°C.
 COOLING FIN: ALUMINUM, BLACK ANODIZED
 HEAT SPREADER: ALUMINUM, BLACK ANODIZED
 CONNECTOR: 7/16 IEC FEMALE, TRI-ALLOY PLATED
 OPERATING POSITION: ANY POSITION EXCEPT MOUNTING SURFACE UP
 NOMINAL SIZE: APPROX. 10.875" L X 5.400" W X 4.800" H
 WEIGHT: APPROX. 7.8 LBS

REVISIONS		DWG. NO.	500-WT-FE	SHEET	REV
ZONE	REV	DESCRIPTION	DATE	1	B
	A	RELEASED TO PRODUCTION	5-29-98		MAN
	B	ECN #204	10-27-98		MAN



4x 10-32UNF-2B
REMOVABLE STANDOFFS

DIMENSIONS HEREON ARE FOR CUSTOMER
 CONVENIENCE AND REFERENCE ONLY.
 TOLERANCE TO BE APPLIED ONLY WHERE
 INDIVIDUALLY STATED ON THE RESPECTIVE
 DIMENSION. -DO NOT SCALE DRAWING-

UNLESS OTHERWISE SPECIFIED DIMENSIONS ARE IN INCHES TOLERANCES ARE: FRACTIONS DECIMALS ANGLES $\pm 1/64$ ± 0.010 $\pm 30'$ $\pm .005$		MILLIMETERS $.X = \pm .4$ $.XX = \pm .12$		THIS DRAWING IS THE PROPERTY OF THE BIRD ELECTRONIC CORPORATION. THE DESIGNS AND SPECIFICATIONS DISCLOSED HEREON ARE PROPRIETARY AND SHALL NOT BE REPRODUCED, NOR COPIED, NOR USED AS THE BASIS FOR THE MANUFACTURE OR SALE OF APPARATUS OR DEVICES WITHOUT THEIR EXPRESS WRITTEN CONSENT.		 BIRD Electronic Corporation Cleveland (Solon) Ohio USA	
MATERIAL FINISH		APPROVALS DRAWN D.M.RINK CHECKED APPROVED <i>MAN</i>		DATE 1-9-03 127-03 AUTOCAD		TITLE TERMINATION, CONVECTION/CONDUCTION COOLED, 7/16 IEC FEMALE, 500W	
		SIZE C FSCM NO. 70998 SCALE 1:1		DWG. NO. 500-WT-FE COMM CODE LD1 SHEET 1 OF 1		REV B	